

SIRUBA[®]
HOUSEHOLD SEWING MACHINE

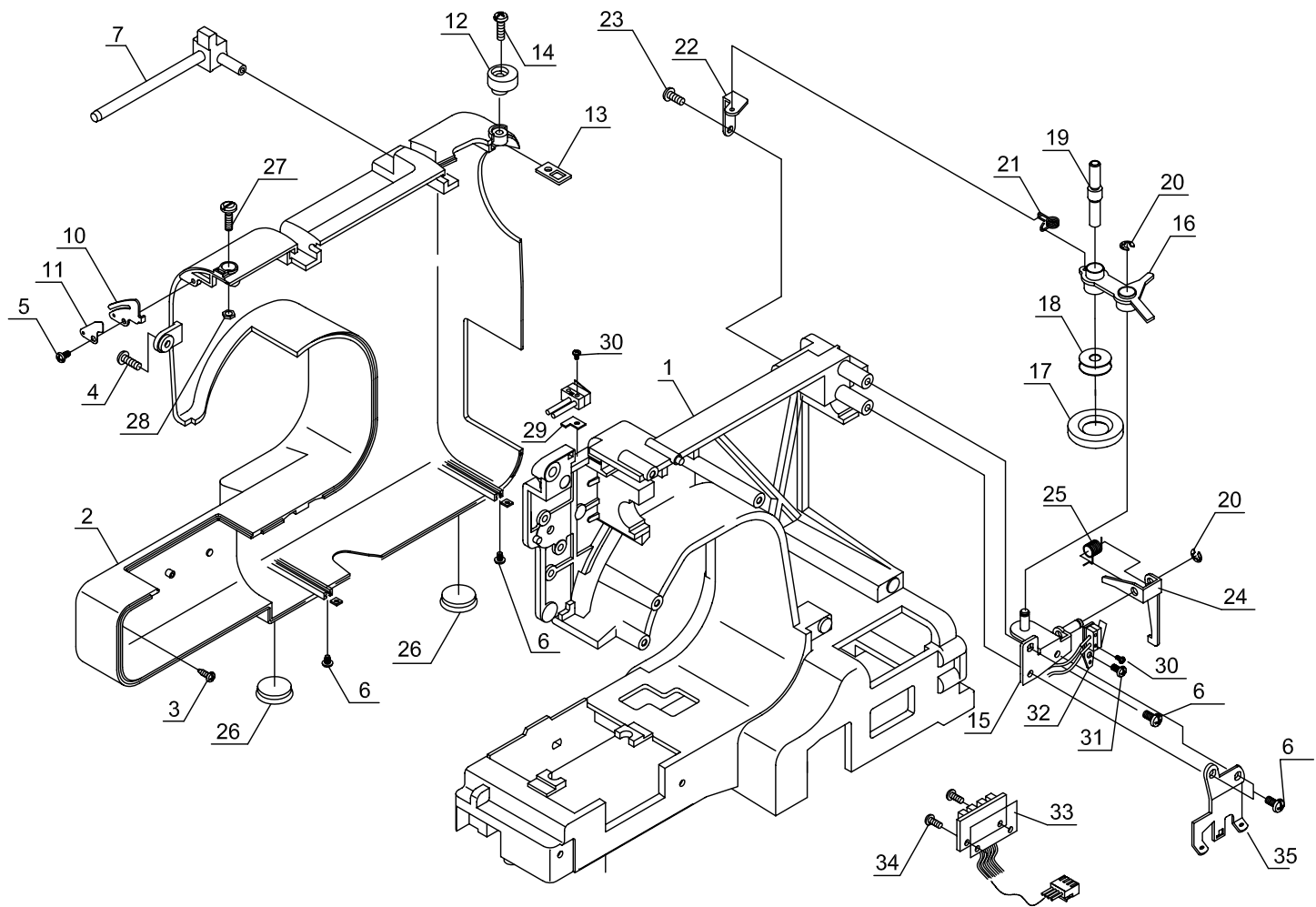
HSP-2566

零件圖
PARTS LIST

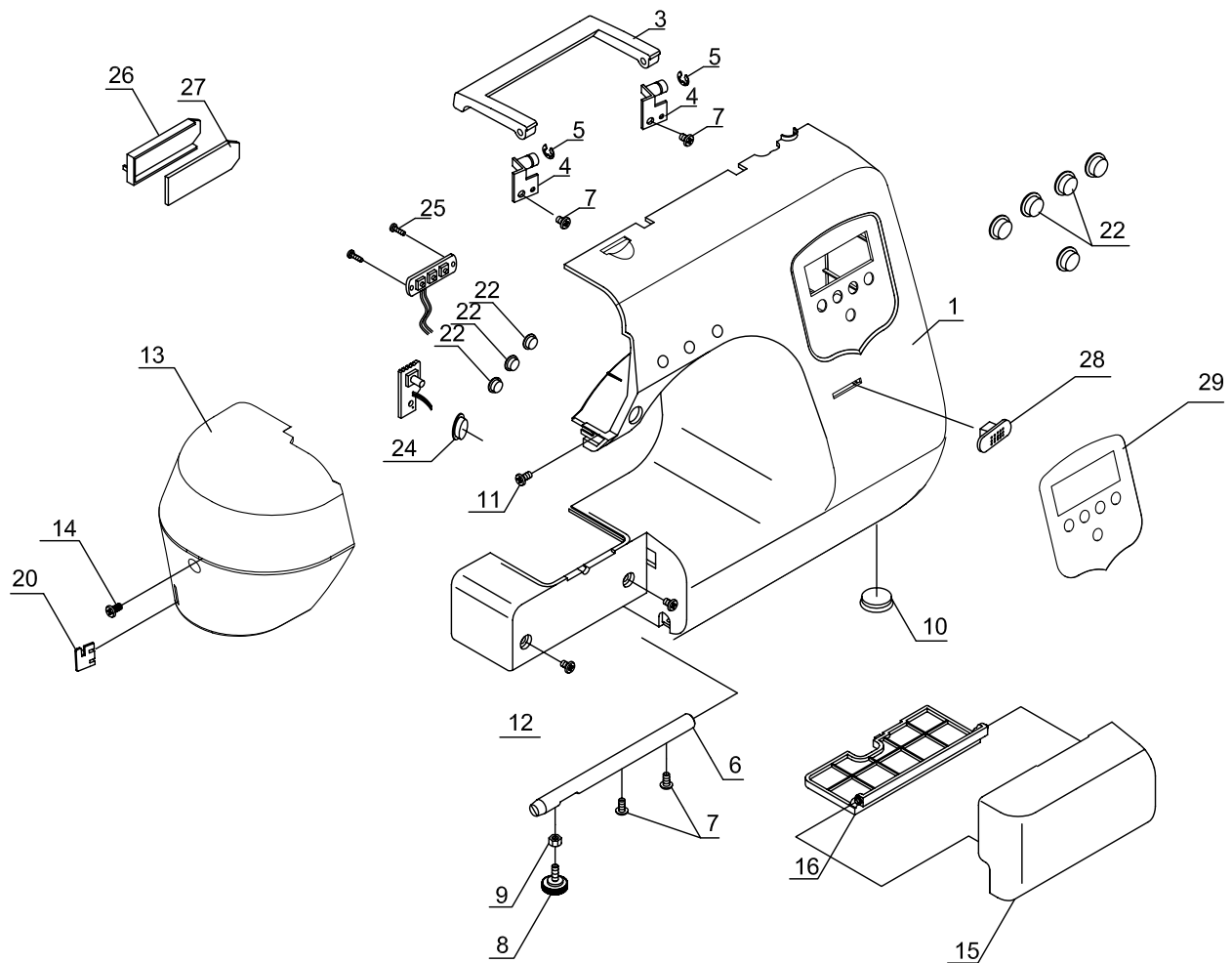


CE

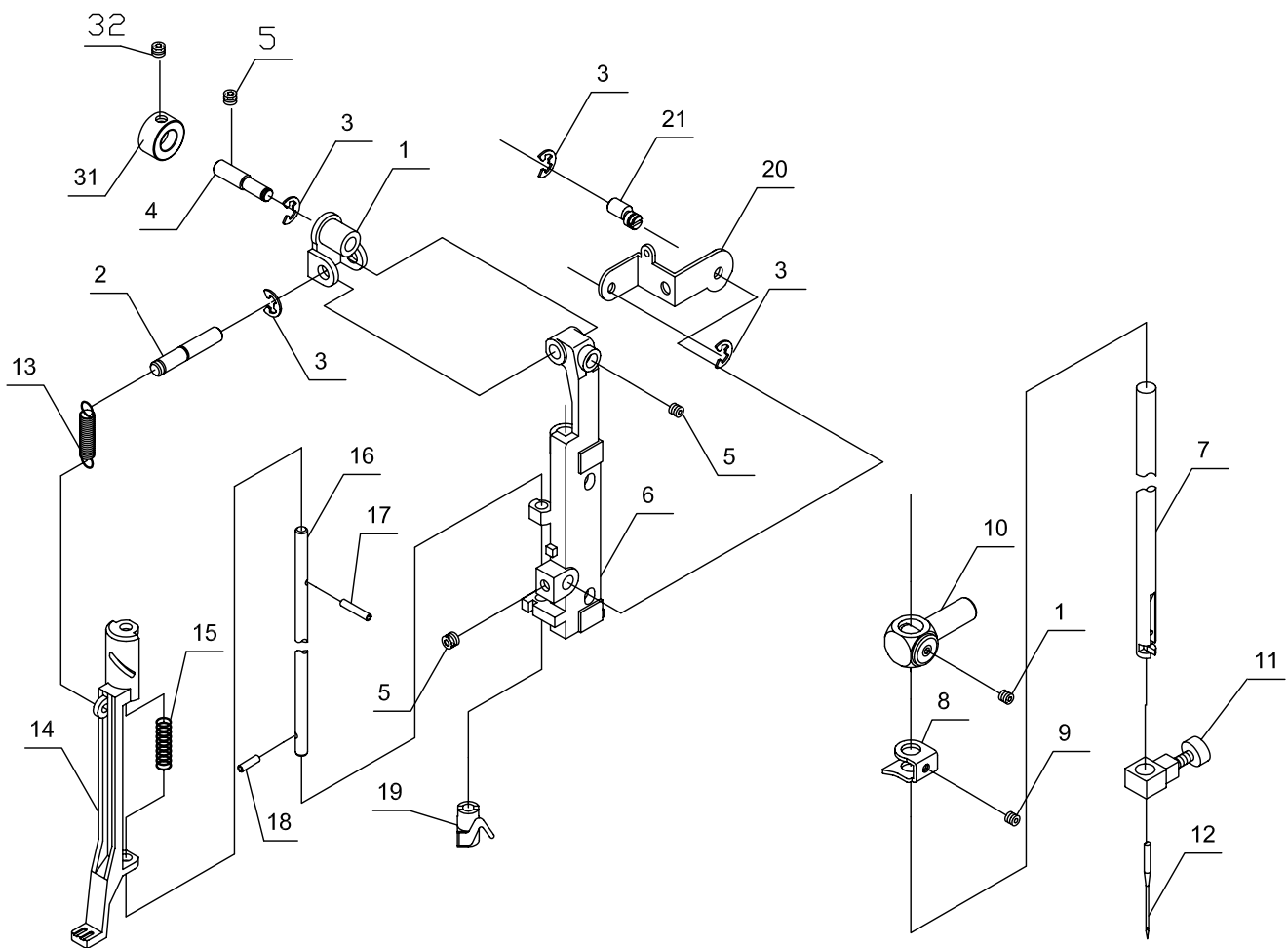
 **高林股份有限公司**
KAULIN MFG. CO., LTD.



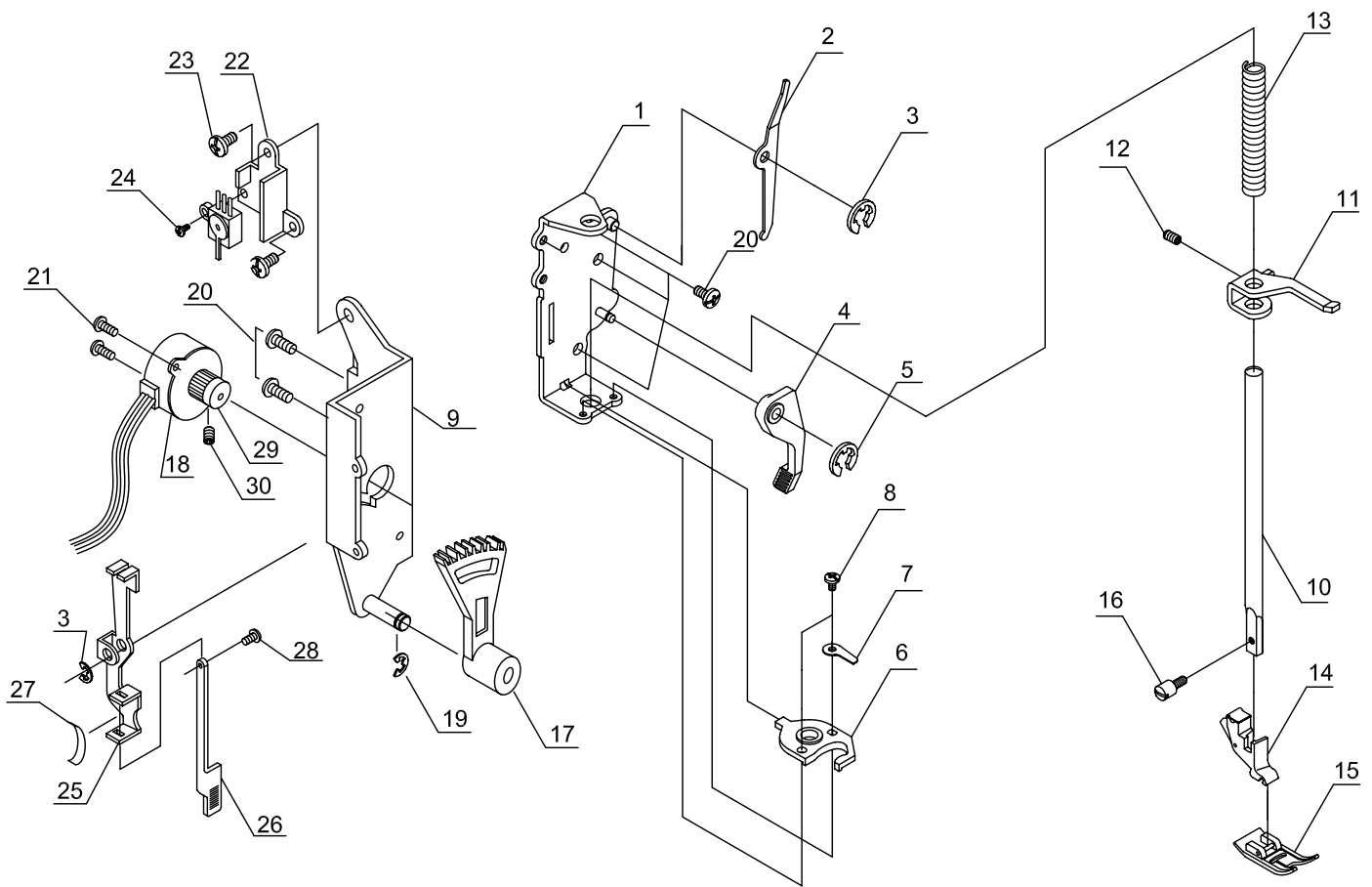
Key	Parts No	Name of Parts	Key	Parts No	Name of Parts
1	C2900-001	Arm	30	000080206	+—pan head T screw 2x8
2	C2900-003	Back cover	31	266009009	screw 3x0.5*6
3	000009906	+—pan head T screw 3x14	32	128022	Switch plate
4	000081706	+—binding head screw 4x12	33	128126	Sensor control plate base
5	000087908	+—binding head screw 3x8	34	266009009	screw 3x0.5*6
6	000081407	+—binding head screw 4x8	35	c168-012	Sensor control plate
7	168070046	Spool pin			
9	218014	Handle			
10	168211	Threading guide (A)			
11	168212	Threading guide shrapnel			
12	321143000	Bobbin winder stopper			
13	168068	Front cover bracket			
14	000085501	+—binding head screw 4x18			
15	168053001	Bobbin winder crank base			
16	C168-007	Bobbin winder crank			
17	266033008	Bobbin winder fell			
18	266032007	Bobbin winder shaft ring			
19	986062	Bobbin winder shaft			
20	000001207	Snap ring E-4			
21	360046003	Bobbin winder crank spring			
22	168075	Bobbin winder spring holder			
23	000081500	+—binding head screw 4x10			
24	168055	Clutch rod			
25	168056	Clutch rod spring			
26	266020006	Rubber cushion			
27	168502	Bobbin winder regulate lead shaft			
28	000010003	Rapid nut M4x0.7			
29	296122	Switch plate			



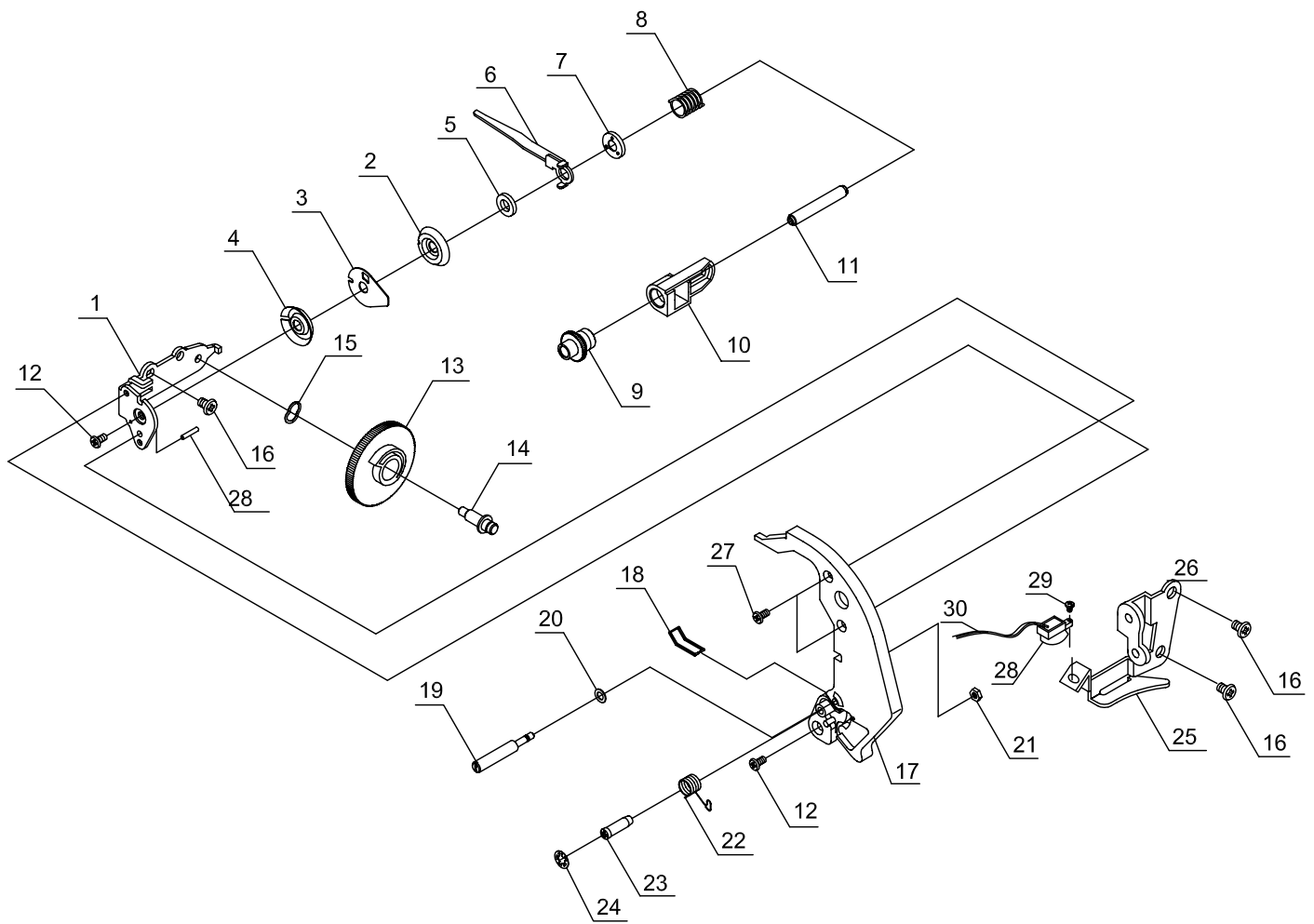
Key	Parts No	Name of Parts	Key	Parts No	Name of Parts
1	C2900B-002	Face cover			
3	128031	Handle			
4	C2900-009	Handle plats			
5	000001207	Snap ring E-4			
6	168071	Detachable foot			
7	000081407	+pinding head screw 4*8			
8	843024	Regulate screw			
9	000010003	Rapid nut M4*0.7			
10	266020006	Rubber cushion			
11	000082408	+pinding head screw 3*6			
12	000081418	+pinding head screw 4*8			
13	C2900-004	Face plats			
14	000081706	+pinding head screw 4*14			
15	C2900-007	Detachable plats cover			
16	C2900-008	Detachable plats			
20	790055001	Cutter (1)			
22	Y-168038023H	Button			
24	262012054	start / stop button			
25	000087909	T screw 3*6			
26	C790-043	LCD box			
27	C790-044	LCD base			
28	C2900-006	Button			
29	C2900B-011	Model show window			



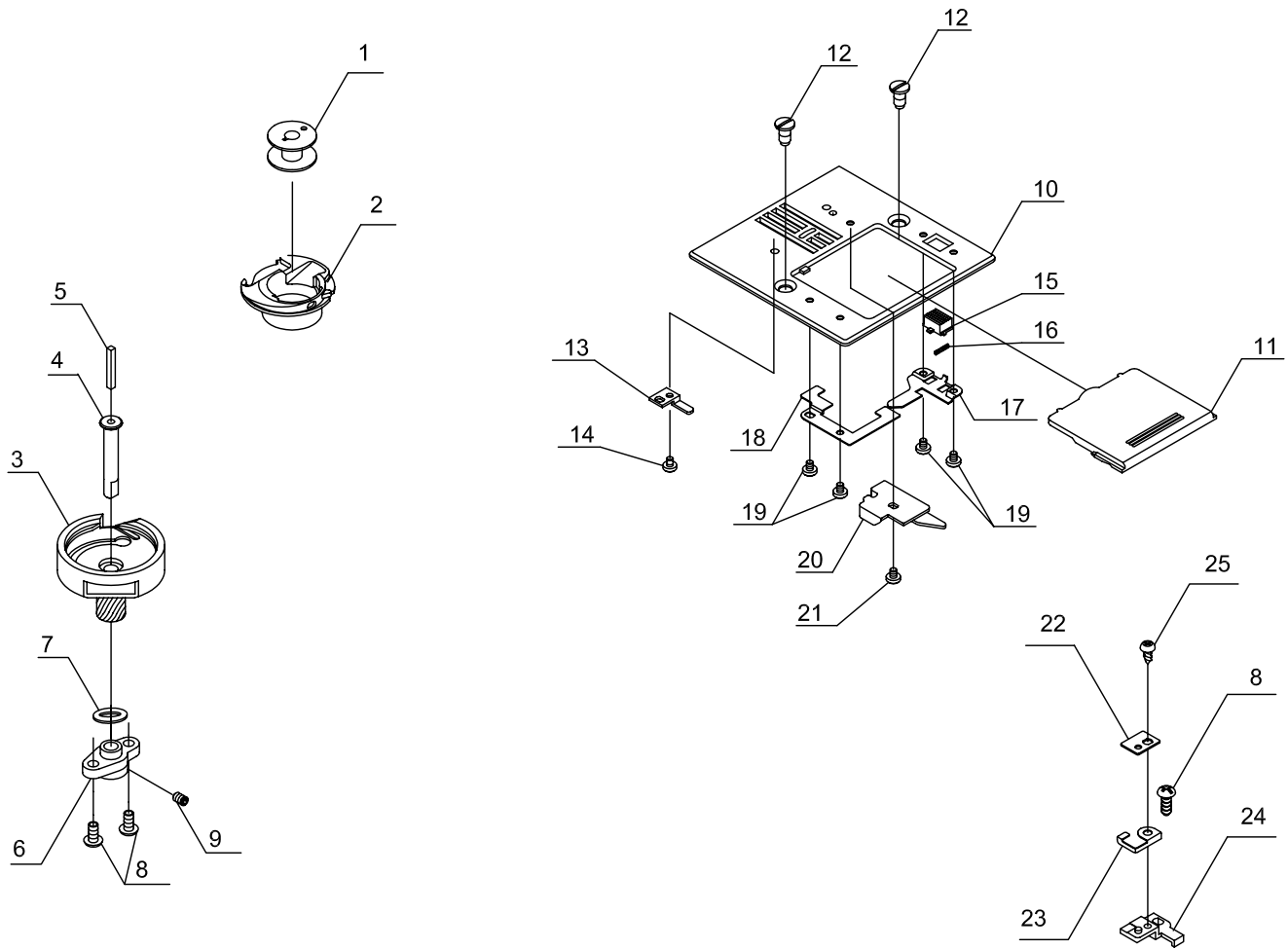
Key	Parts No	Name of Parts	Key	Parts No	Name of Parts
1	730095	Needle bar crank supporter			
2	730096	Needle bar crank pin	31	730307	Shaft ring
3	000001207	Snap ring E-4	32	000079000	Hexagon socket screw 3X4
4	281086007	Needle bar crank supporter shaft			
5	000079103	Hexagon socket screw 4X4			
6	730093	Needle bar crank			
7	986053	Needle bar			
8	270017003	Through thread location plate			
9	000079000	Hexagon socket screw 3X4			
10	281045004	Needle bar connecting rod			
11	168507	Needle clamp			
12	A-000201209	Needle			
13	730102	Through thread body spring			
14	986054	Through thread body			
15	730103	Through thread body spring			
16	986055	Through thread bar			
17	000006914	Spring 2X12			
18	000006811	Spring 2X8			
19	270030003	Lead thread body			
20	C986-002	Zigzag lever			
21	730078	Zigzag lever eccentric pin			



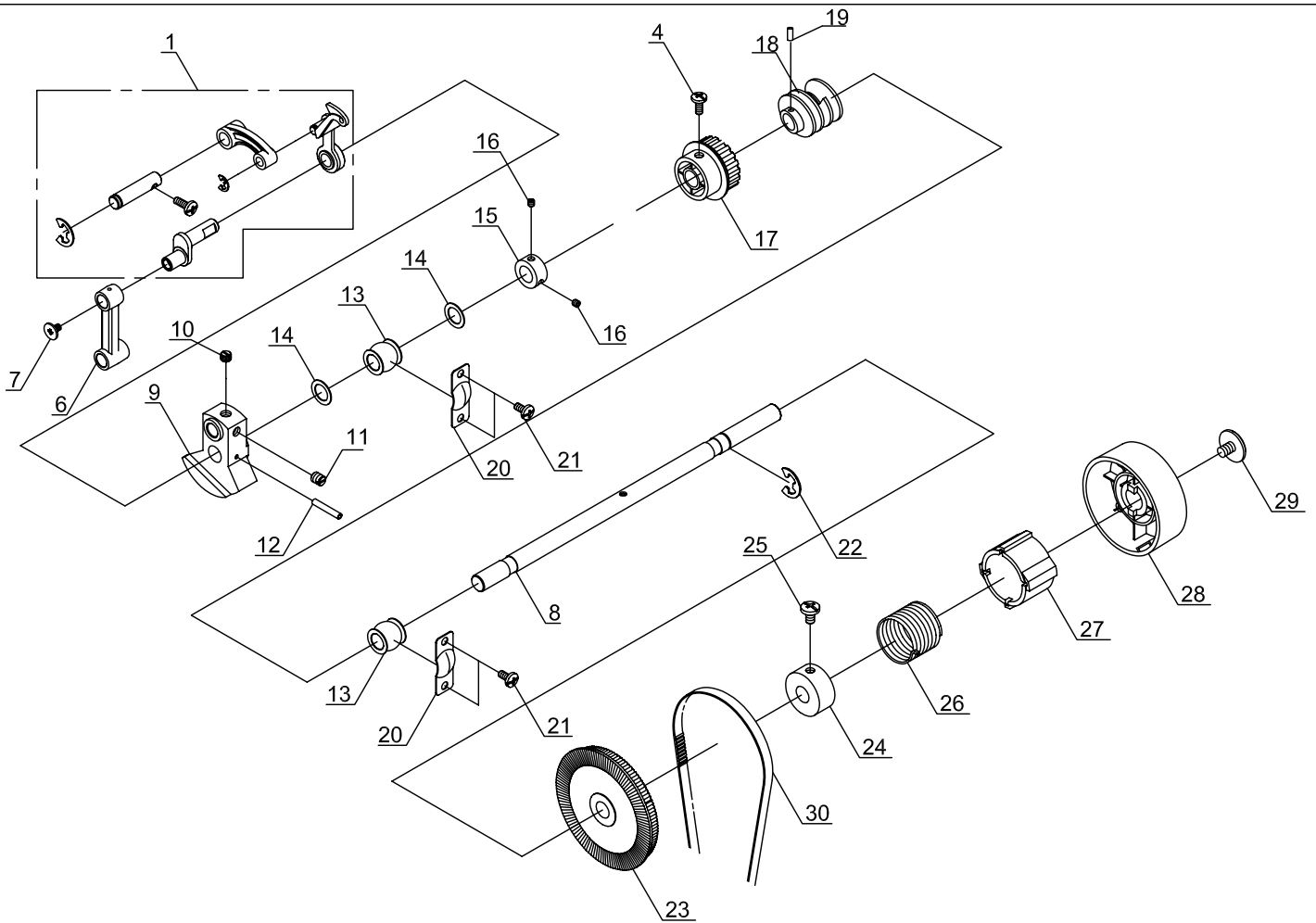
Key	Parts No	Name of Parts	Key	Parts No	Name of Parts
1	168219	Supporter base	30	000079000	Hexagon socket screw 3*4
2	730109	Release lever			
3	000001207	Snap ring E-4			
4	218021017	Presser bar lifter			
5	000001207	Snap ring E-4			
6	730092	Needle bar crank lead plate			
7	730099	Needle bar crank stop plate			
8	000082408	+binding head screw 3x6			
9	C168-001-1	Zigzag motor plate			
10	790049	Presser bar			
11	868078	Presser bar guide bracket			
12	000079402	Hexagon socket screw 4x8			
13	C168-024	Presser bar spring			
14	A-CY-7300F	Presser foot			
15		Presser foot			
16	270024003	Presser foot screw			
17	C168-002	Zigzag gear			
18	128131001	Presser bar spring			
19	000001104	Snap ring E-3			
20	000081407	+binding head screw 4*8			
21	000082305	+binding head screw 3*5			
22	128024	BH switch case			
23	000082305	+Pan head screw 3*5			
24	000087909	T screw 3*6			
25	C168-004	BH connecting crank			
26	128026	BH connecting rod			
27	868047	BH reguate shrapnel			
28	730175	+Pan head screw 2*3			
29	128081	Motor bear (zigzag)			



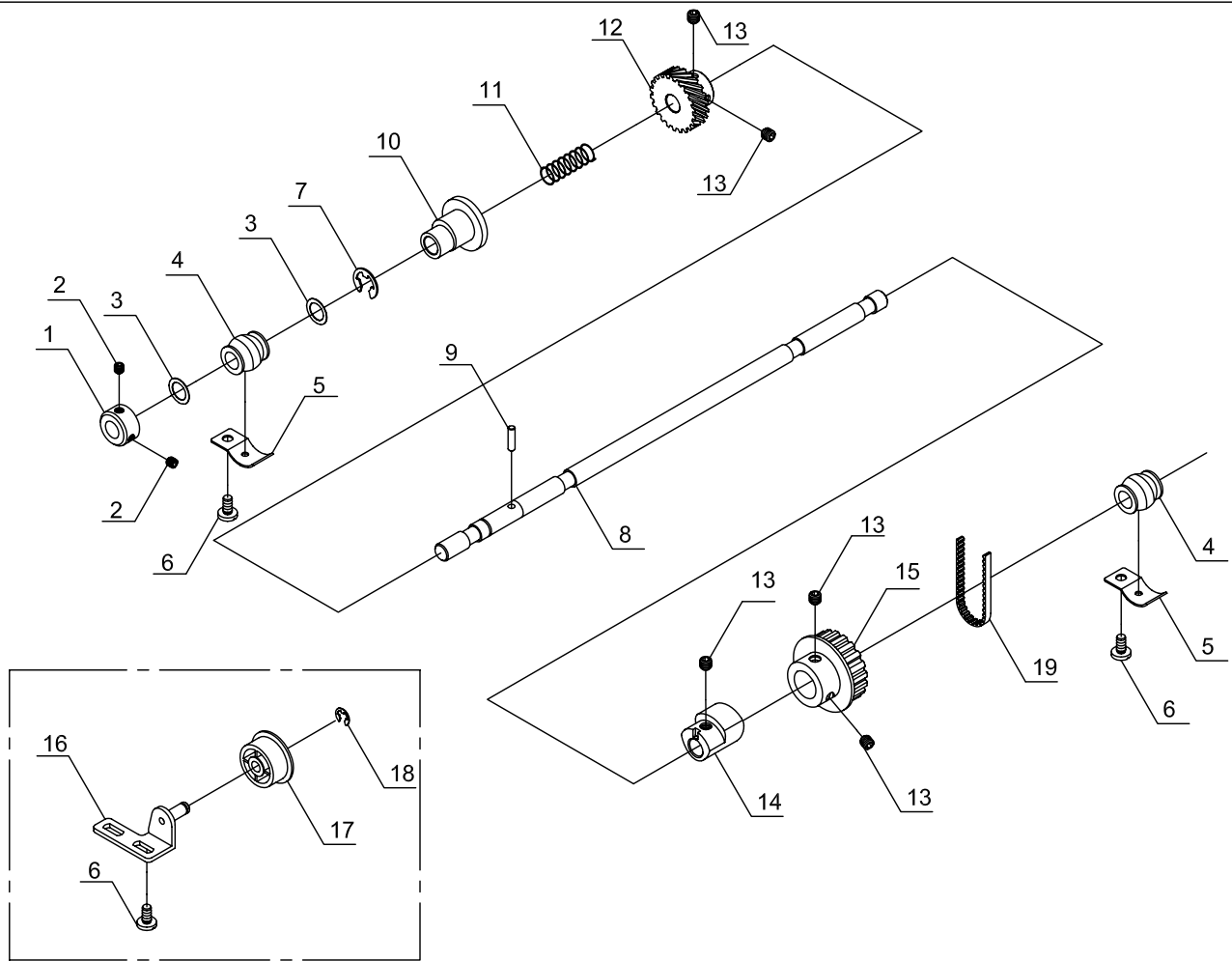
Key	Parts No	Name of Parts	Key	Parts No	Name of Parts
1	730022	Thread tension regulate plate	28	C168-027	Lamp base
2	868060	Thread tension regulate flat (Right)	29	000084709	binding head screw 3*6
3	868059	Middle plate	30	YSD5K02W07	LAMP
4	868060	Thread tension regulate flat (Left)			
5	868138	Plain washer 5.6X15X1			
6	C2900-012	Thread tension connecting plate			
7	868113	Spring set position plate			
8	868115	Thread tension regulate spring			
9	868118	Elastic regulator			
10	730023	Thread tension regulate plate			
11	868116	Thread tension regulator base shaft			
12	000082408	+binding head screw 3X6			
13	868114060	Thread tension regulate dial			
14	730197	Thread tension regulate shaft			
15	868234	Corrugated washer 9 m/m			
16	000081407	+binding head screw 4X8			
17	C2900-005	Threading guide			
18	168066	Threading guide spring			
19	218024	Threading guide shaft			
20	000012200	Plain washer 4X7X0.4			
21	000071002	Hexagon nut 3-3-5.5			
22	730105	thread take-up spring			
23	262026000	Spring set shaft			
24	000002404	Snap ring CS-4.5			
25	C2900-010	threading guide shrapnel			
27	000084008	+Pan head screw 3X4			
28	000007008	Spring pin 1.6X10			



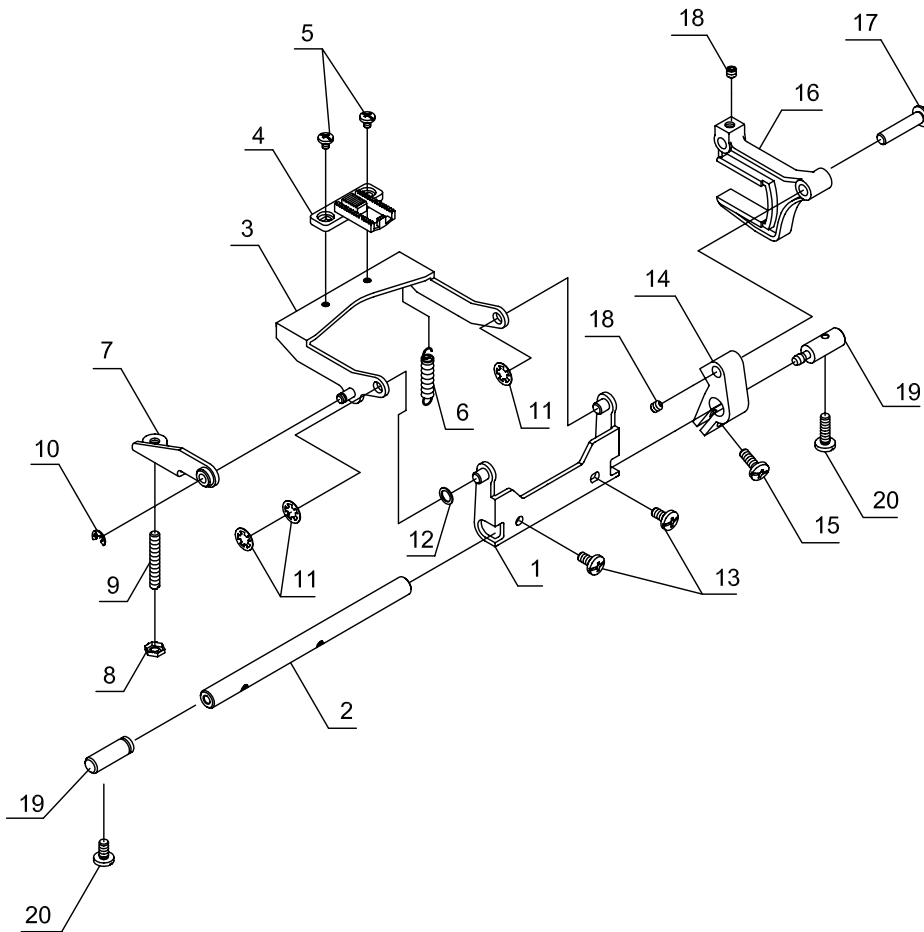
Key	Parts No	Name of Parts	Key	Parts No	Name of Parts
1	A-218023	Bobbin			
2	128130	Bobbin case complete			
3	128129	Hook race			
4	730143	Hook race shaft			
5	730 168	Oil core			
6	730141	Hook race set body			
7	000013017	Thrust washer screw 6.2*9.5*0.13			
8	000084400	+pan head screw 4*8			
9	000079206	Hexagon socket screw 4*6			
10	128070	Needle plate			
11	760003	Slide plate			
12	266017000	Flat head set screw			
13	128072	Bobbin case thread stopper			
14	730174	Set screw (Bobbin case stop plate)			
15	760005	Slide plate spring			
16	760004	Switch			
17	760001	Slide plate shrapnel(r)			
18	760002	Slide plate shrapnel(L)			
19	730 175	Set screw (slide shrapnel)			
20	730151	Bobbin case stop plate			
21	730174	Set screw (Bobbin case stop plate)			
22	168108	Stop shrapnel holder			
23	730152	Bobbin case stop shrapnel			
24	296105	Stop shrapnel base			
25	000084318	+pan head screw 2.6*4			



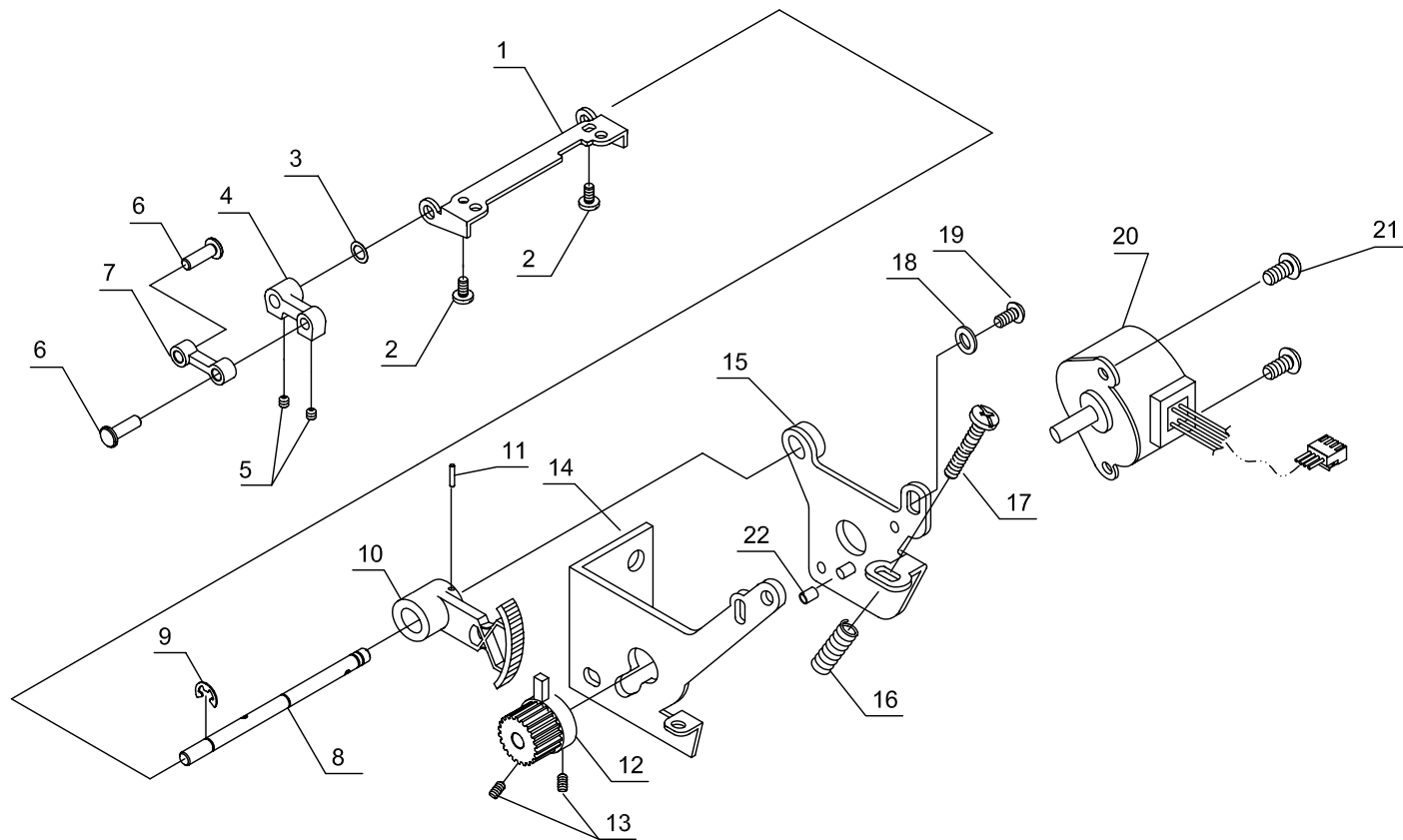
Key	Parts No	Name of Parts	Key	Parts No	Name of Parts
1	SCM988-020	Thread take-up lever	30	730161	Motor belt (488-2GT)
2					
3					
4					
5					
6	218504006	Needle bar rod			
7	321146003	Needle bar rod screw			
8	C2900-013	Upper shaft			
9	128029	Thread take-up crank			
10	101040008	Set screw SM15/64-28*6.5			
11	574057006	Set screw SM15/64-28*4			
12	000006408	Spring pin 3*20			
13	268007209	Upper shaft bushing			
14	000013305	Thrust washer 10.2*15*0.5			
15	620060008	Upper shaft ring			
16	000079608	Hexagon socket screw 11/64*4			
17	168010	Timing gear A			
18	C168-016	Upper shaft worm			
19	000006914	Spring pin 2*12			
20	268005220	Bushing plate			
21	000081407	+binding head screw 4*8			
22	000001609	Span ring E-9			
23	168011	Timing pulley			
24	168012	Clutch bushing			
25	000079309	Hexagon socket screw 5*5			
26	868031	Clutch spring			
27	128144	Clutch			
28	168013008	Hand wheel			
29	868024	Stop motion large screw			



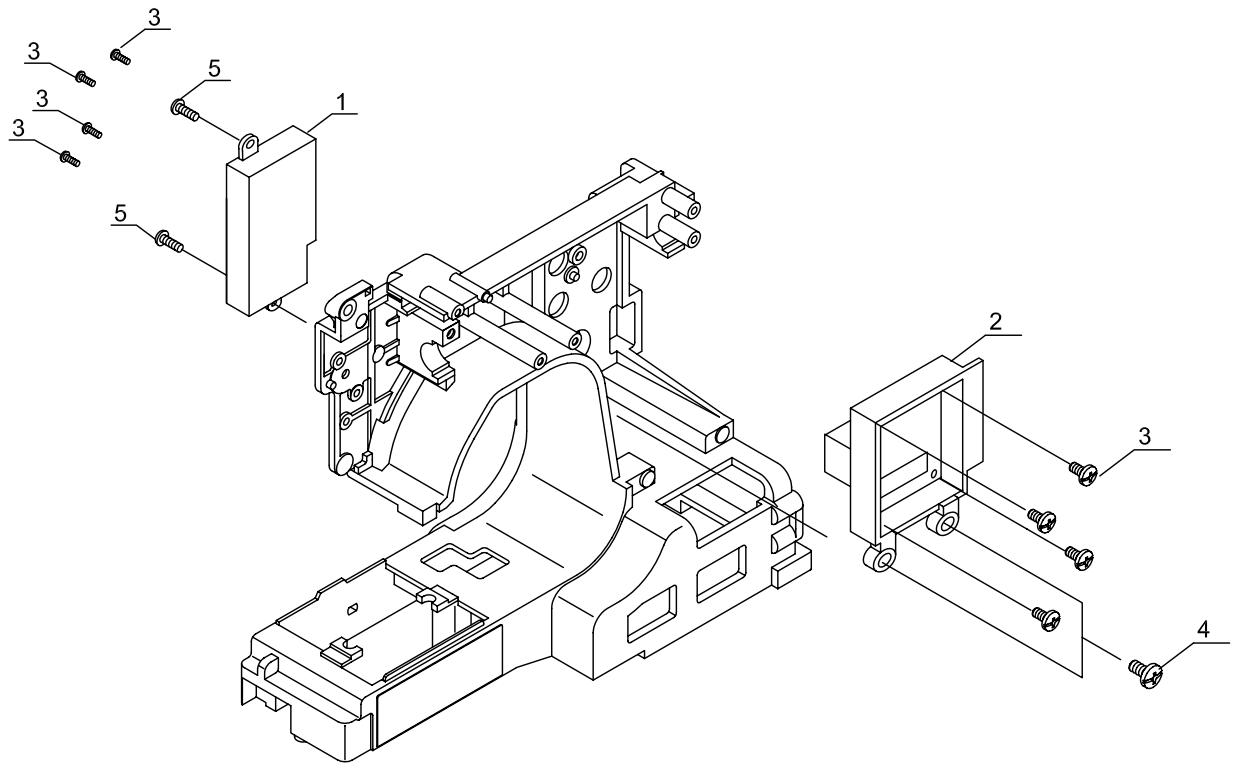
Key	Parts No	Name of Parts	Key	Parts No	Name of Parts
1	730122	Lower shaft ring			
2	000079103	Hexagon socket screw 4*4			
3	000013430	Thrust washer 8.2*12*0.25			
4	730123	Lower shaft bushing			
5	730124	Lower shaft bushing plate			
6	000081407	+binding head screw 4*8			
7	000001403	Snap ring E-6			
8	C2900-014	Lower shaft			
9	730116	Feed lifting cam pin			
10	730113	Feed lifting cam			
11	730115	Feed lifting connecting spring			
12	730121	Lower shaft gear			
13	000079309	Hexagon socket screw 5*5			
14	C168-041	Feed rock cam			
	C168-042	Feed rock cam			
15	C168-043	Timing gear B			
	C168-044	Timing gear B			
16	168063	Belt regulate wheel plate			
17	730083	Belt tension regulate wheel			
18	000001207	Snap ring E-4			
19	000092906	Timing belt 184XL			



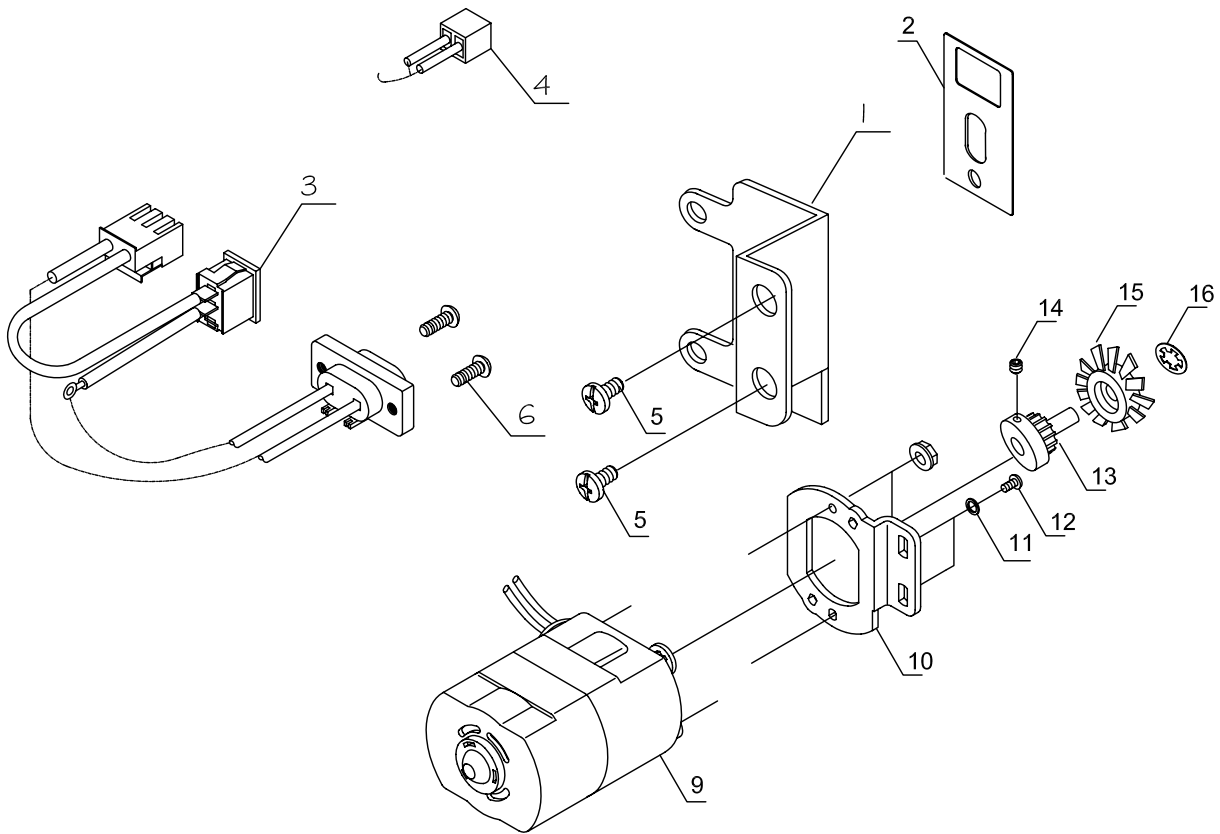
Key	Parts No	Name of Parts	Key	Parts No	Name of Parts
1	730138	Feed dog base crank			
2	730130	Feed rock shaft			
3	168105	Feed dog base			
4	C168-025	Feed dog			
5	000082305	+binding head screw 3*5			
6	730139	Feed dog base spring			
7	730117	Feed lifting crank			
8	000010003	Rapid nut M4*0.7			
9	730171	Screw			
10	000001104	Snap ring E-3			
11	000002404	Snap ring CS-4.5			
12	281040009	Plain washer 5.1*7.3*0.5			
13	000081407	+binding head screw 4*8			
14	730129	Feed rock crank			
15	000079309	Set screw 4*12			
16	730107	Feed driving rod			
17	730108	Feed driving rod shaft			
18	000079103	Hexagon socket screw 4*4			
19	730133	Feed rock shaft index pin			
20	000081706	+binding head screw 4*14			
22	000084400	Flat head screw 4*8			



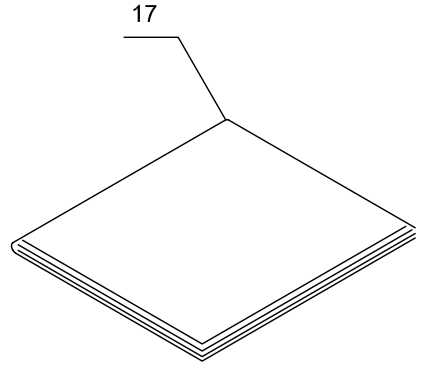
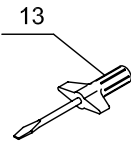
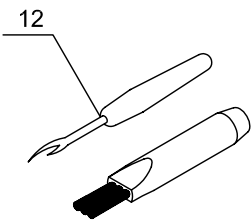
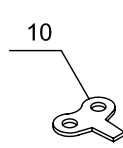
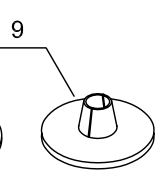
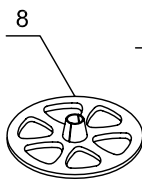
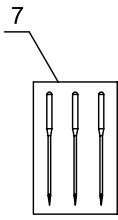
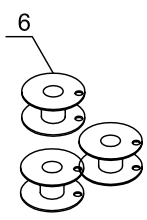
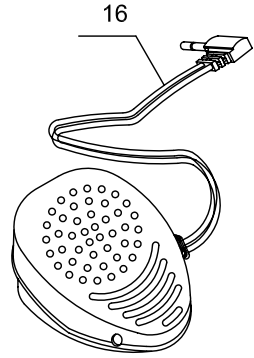
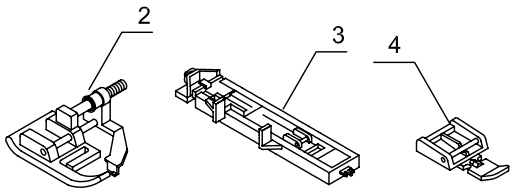
Key	Parts No	Name of Parts	Key	Parts No	Name of Parts
1	C730-002	Feed regulate shaft base			
2	000081407	+binding head screw 4*8			
3	000013017	Plain washer 6.2X9.5X0.13			
4	730048	Feed regulate crank			
5	000079103	Hexagon socket screw 4X4			
6	730052	Feed regulate set pin			
7	730049	Feed regulate rod			
8	C730-006	Feed rock shaft			
9	000001300	Snap ring E-5			
10	128078	Feed regulate gear			
11	000006914	Spring pin 2*12			
12	C168-003	Motor gear (regulate)			
13	000079000	Hexagon socket screw 3X4			
14	C730-004	Feed motor plate			
15	C168-009	Feed motor plate base			
16	669077	0 Point slight regulate screw			
17	000015008	Slight regulate screw			
18	000012005	washer			
19	000074005	+binding head screw 4*6			
20	128082	Motor gear (regulate)			
21	000082305	+binding head screw 3*5			
22	C168-018	ring			



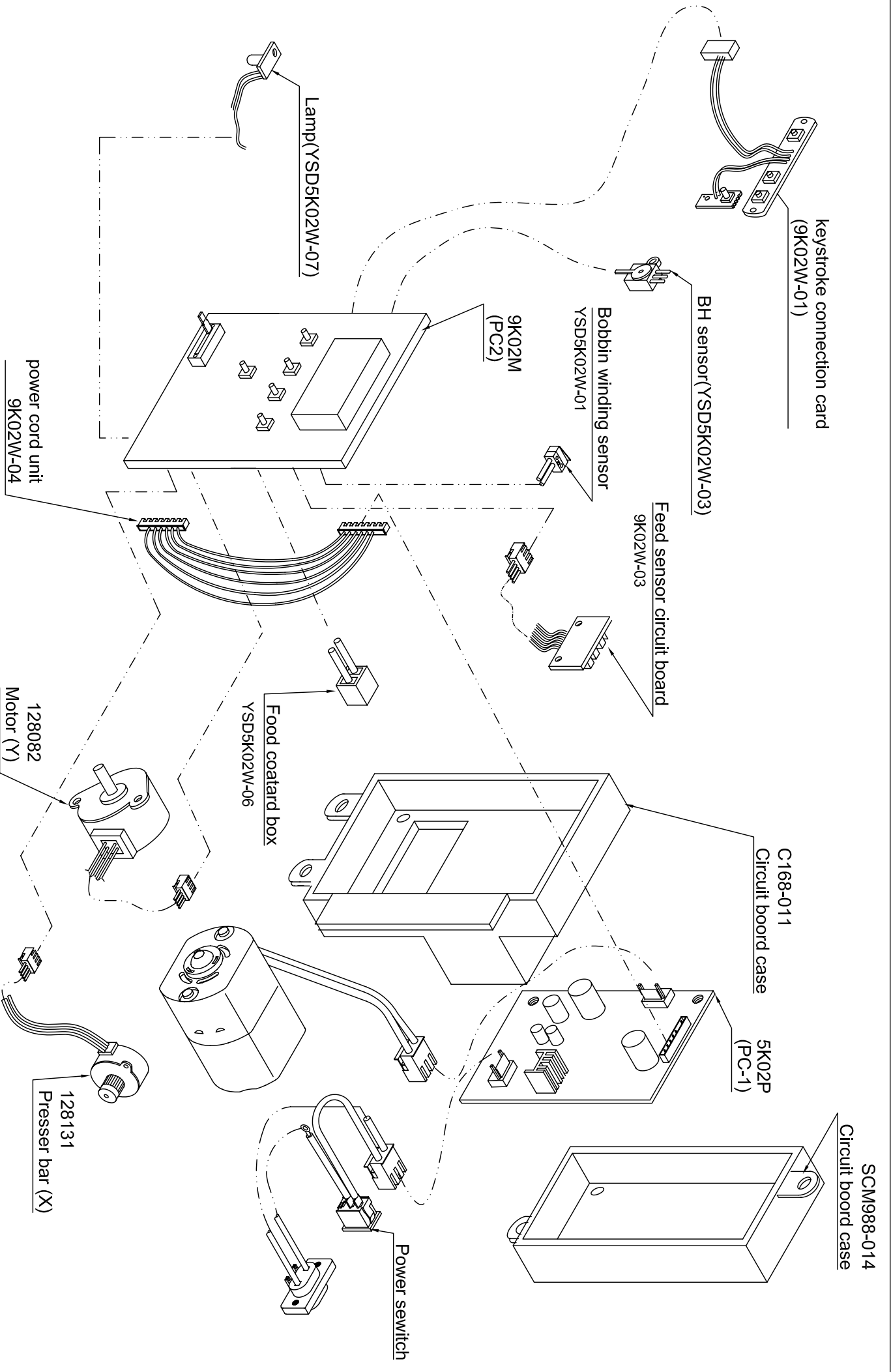
Key	Parts No	Name of Parts	Key	Parts No	Name of Parts
1	SCM988-014	Circuit board case (B)			
2	C168-011	Circuit board case (B)			
3	000087909	T screw 3*6			
4	000081603	+Pan head screw 4*12			
5	000081407	+binding head screw 4*8			



Key	Parts No	Name of Parts	Key	Parts No	Name of Parts
1	C2900-016	Power switch plate			
2	C2900-015	Switch show plate			
3	E-SCM168-CE	switch			
4	YSD5K02W-06	Food contact box			
5	000081407	+binding head screw 4*8			
6	000083007	+Pan head screw 3*5			
9	M-FE2-14YM340D	Motor			
10	168064	Motor plate			
11	000088002	Snap washer M5			
12	000083409	+Pan head screw 5*10			
13	128114	Motor driving gear			
14	000079103	Hexagon socket screw 4*4			
15	128117	Motor fan			
16	000002301	snap ring cs-4			



Key	Parts No	Name of Parts	Key	Parts No	Name of Parts
2	A-CY-7308	Blind hem foot			
3	A-128128	BH foot			
4	A-CY-7306	Zippeer foot			
6	A-218023	Bobbin			
7	A-000201210	Needle set			
8	A-986013046	Spool pin cap (large)			
9	A-986014049	Spool pin cap (small)			
10	A-Y-168023	Needle plate screwdriver			
12	A-321406015	Buttonhole opener and brush			
13	A-321404	Screwdriver(small)			
16	N-180034	Foot Control			
17		Book			





HSP-2566

高林股份有限公司 KAULIN MFG. CO., LTD.